

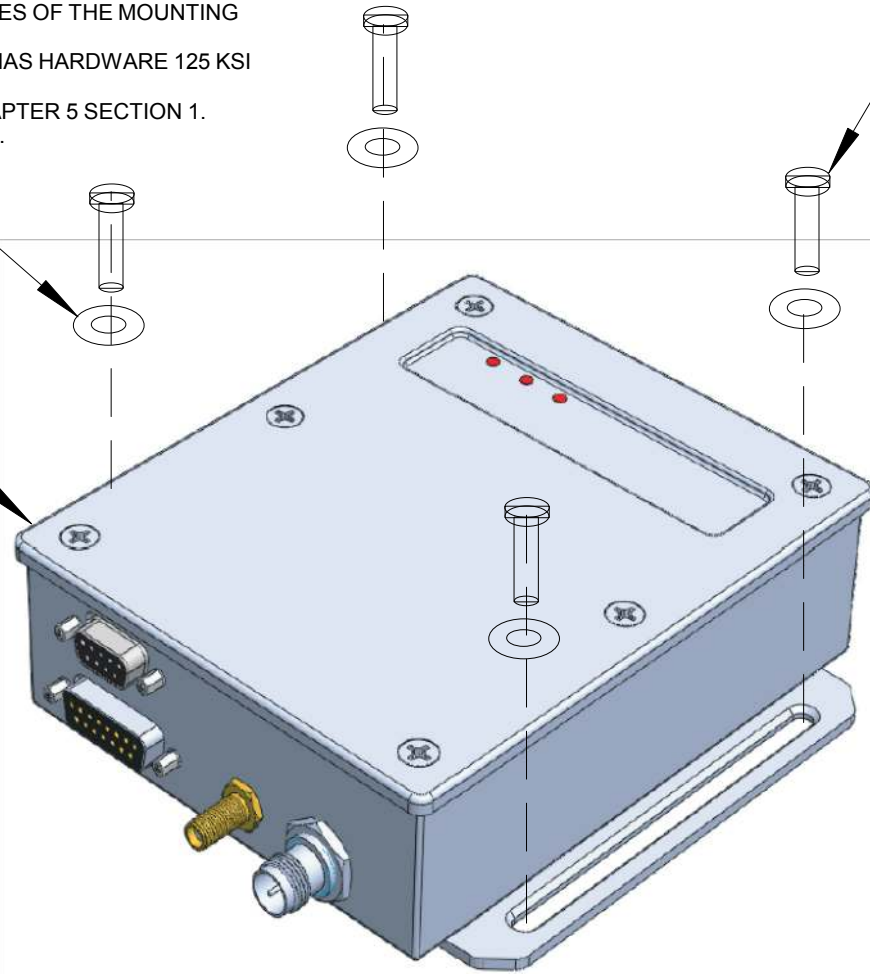
NOTES:

1. THIS DRAWING PROVIDES REQUIRED INSTALLATION INFORMATION FOR ALL INSTALLATIONS OF THE HE7200A-BB2327 P/N 200800. SPECIFIC LOCATIONS AND MOUNTING INFORMATION FOR EACH AIRCRAFT IS TO BE ADDRESSED IN SEPARATE DRAWINGS.
2. POSITION MOUNTING SCREWS/BOLTS AT THE FAR EXTREMES OF THE MOUNTING SLOTS.
3. ACCEPTABLE ALTERNATE SCREWS OR BOLTS: AN, MS OR NAS HARDWARE 125 KSI MIN. TENSILE STRENGTH.
4. TORQUE FASTENERS PER A/C 43.13-1A OR LATER REV, CHAPTER 5 SECTION 1.
5. APPROVED INERTIAL LOAD FACTORS: 20G ALL DIRECTIONS.
6. WEIGHT 1.0 LB.

WASHER
NAS1149F0363P
4 PL

GILCOM
HE7200A-BB2327
P/N 200800

SCREW, HEX HEAD
NAS1801-3-()



NC	INITIAL RELEASE	8/3/2015
REV.	DESCRIPTION	DATE

PROPRIETARY AND CONFIDENTIAL
THE INFORMATION CONTAINED IN THIS DRAWING IS THE SOLE PROPERTY OF GILCOM TECHNOLOGIES. ANY REPRODUCTION IN PART OR AS A WHOLE WITHOUT THE WRITTEN PERMISSION OF GILCOM TECHNOLOGIES IS PROHIBITED.

GILCOM TECHNOLOGIES

UNLESS OTHERWISE SPECIFIED:

DIMENSIONS ARE IN INCHES

TOLERANCES:
FRACTIONAL ±1/64
ANGULAR: MACH ±1 BEND ±1
TWO PLACE DECIMAL ±.01
THREE PLACE DECIMAL ±.005

MATERIAL:

FINISH:

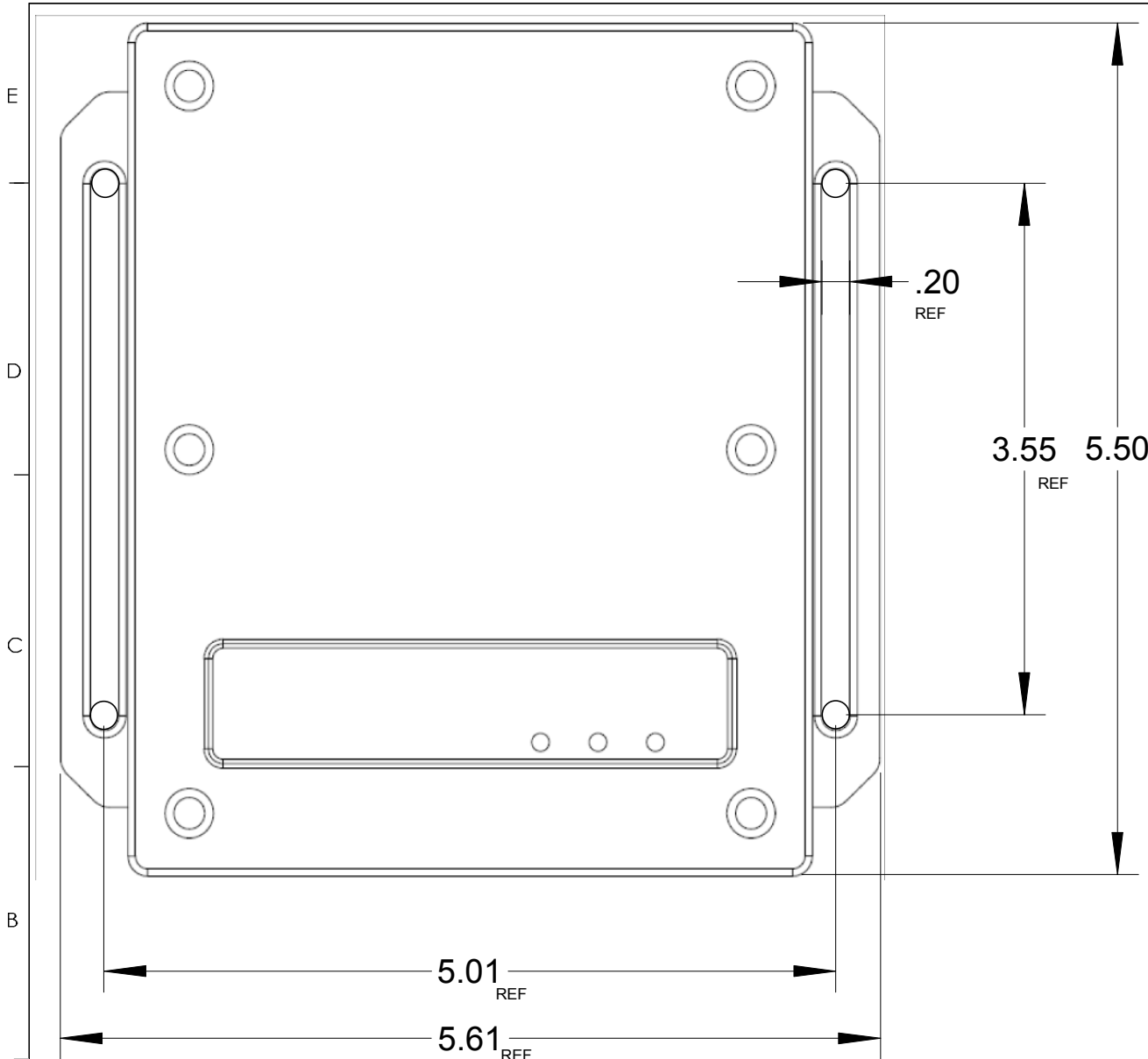
TITLE:

INSTALLATION, HE7200A

DRAWING NUMBER:

200890-1002

PCB REV	DWG TYPE	SCALE:	REV
		NONE	NC
DWG. OG:	DATE:	SHEET 1 OF 2	
	8/3/15		



PROPRIETARY AND CONFIDENTIAL

THE INFORMATION CONTAINED IN THIS DRAWING IS THE SOLE PROPERTY OF GILCOM TECHNOLOGIES. ANY REPRODUCTION IN PART OR AS A WHOLE WITHOUT THE WRITTEN PERMISSION OF GILCOM TECHNOLOGIES IS PROHIBITED.

GILCOM TECHNOLOGIES

HE7200A-BB2327 MOUNTING DIMENSIONS

DIMENSIONS ARE CENTERED ON UNIT

TITLE:

INSTALLATION, HE7200A

DRAWING NUMBER:

200890-1002

PCB REV

DWG TYPE

SCALE:

NONE

REV

NC

DWG. OG:

DATE: **8/3/15**

SHEET **2** OF **2**