

# BSN ANTI-PIRACY



## ANTI-PIRACY SOLUTIONS

*Premium solutions to keep your crew safe at sea*

Blue Sky Network 

[www.blueskynetwork.com](http://www.blueskynetwork.com)



← The Citadel is the ideal anti-piracy solution for your maritime operations.

**BLUE SKY NETWORK HAS DEVELOPED THE STANDARD IN ANTI-PIRACY SOLUTIONS.**

# ANTI-PIRACY PACKAGES

Blue Sky Network has collaborated with ship's engineers, vessel owners, IT teams, and battery back-up professionals to bring you (in our opinion) the best in anti-piracy solutions. Our on-target product packages begin with our powerful Citadel unit and add a single cable (up to 100 meters) for power, phone, and ethernet (for configuration).

Maritime battery back-up to power the system beyond 72 hours is available.

## RESOURCES

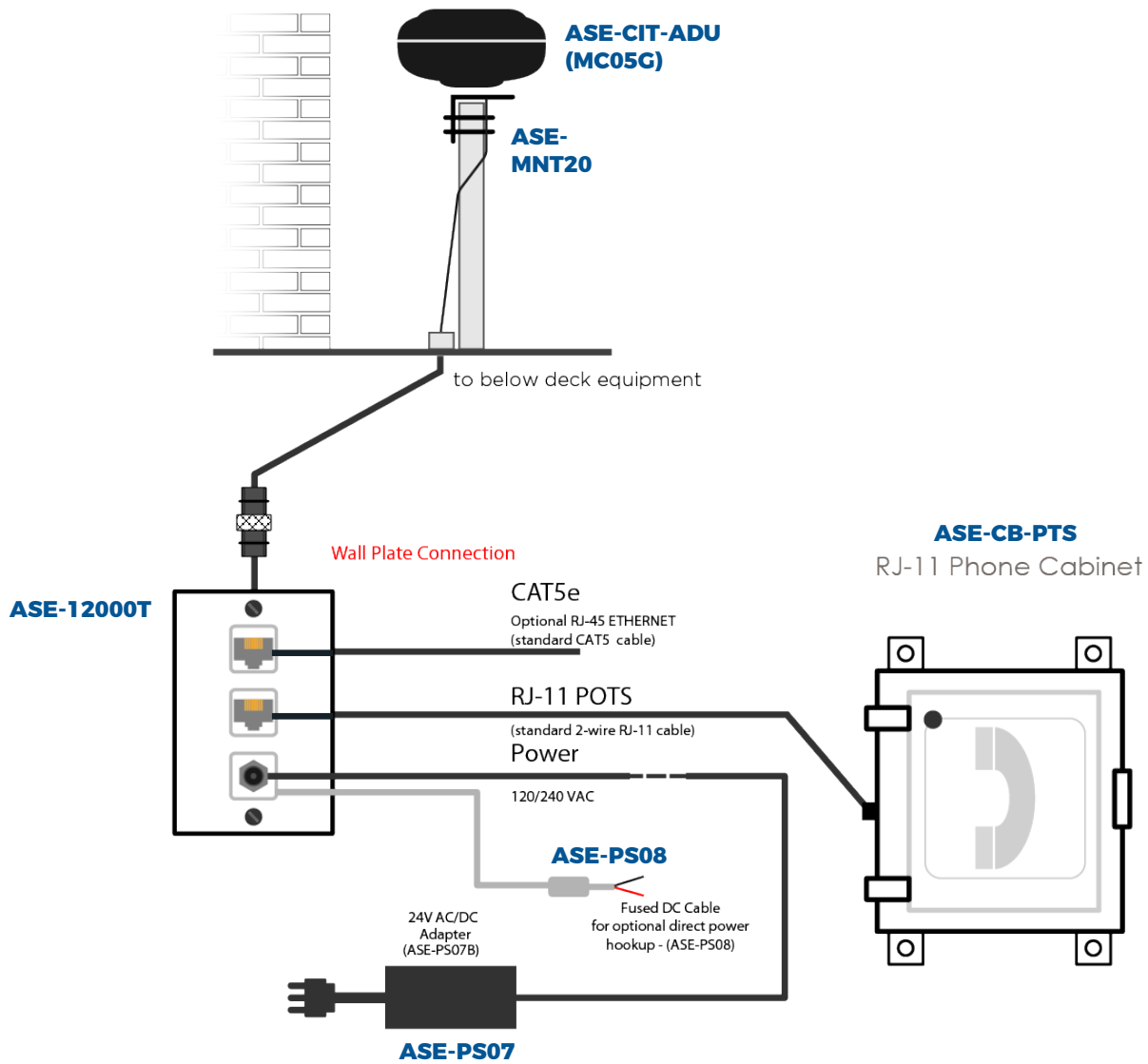
Click on the button below to access product resources such as the user guide, installation manual, trouble-shooter, images and more.



# CITADEL PACKAGE 01

## ASE-CIT01: Voice terminal with built-in antenna and GPS

Includes ADU (MC05G), POTS phone in lockable cabinet (CB-PTS), 150' length cable (12150T), breakout adapter with plastic wall plate (ASE-12000T) with AC/DC power supply and fused cable, and mounting bracket (MNT-20).



### ASE-CIT01 OPTIONS:

**Cable Lengths\*** ASE-CIT01-150 / 150' (46 meters)

**ADU Shell Colors** Black White

\*Cable extensions available

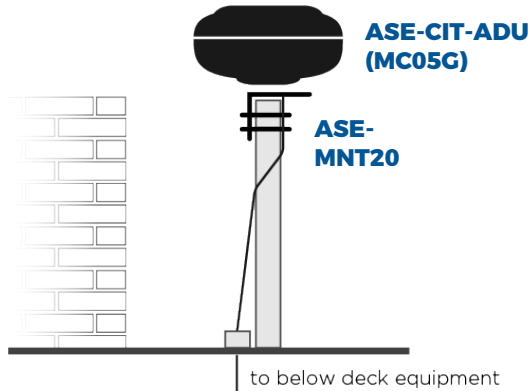
**Harmonized Code - HTS#:** 8517.62.0050 **ECCN:** 5A992.a

**Shipping Dimensions:** 20 x 14 x 14, 25 LBS (51cm x 36cm x 36cm, 11kg)

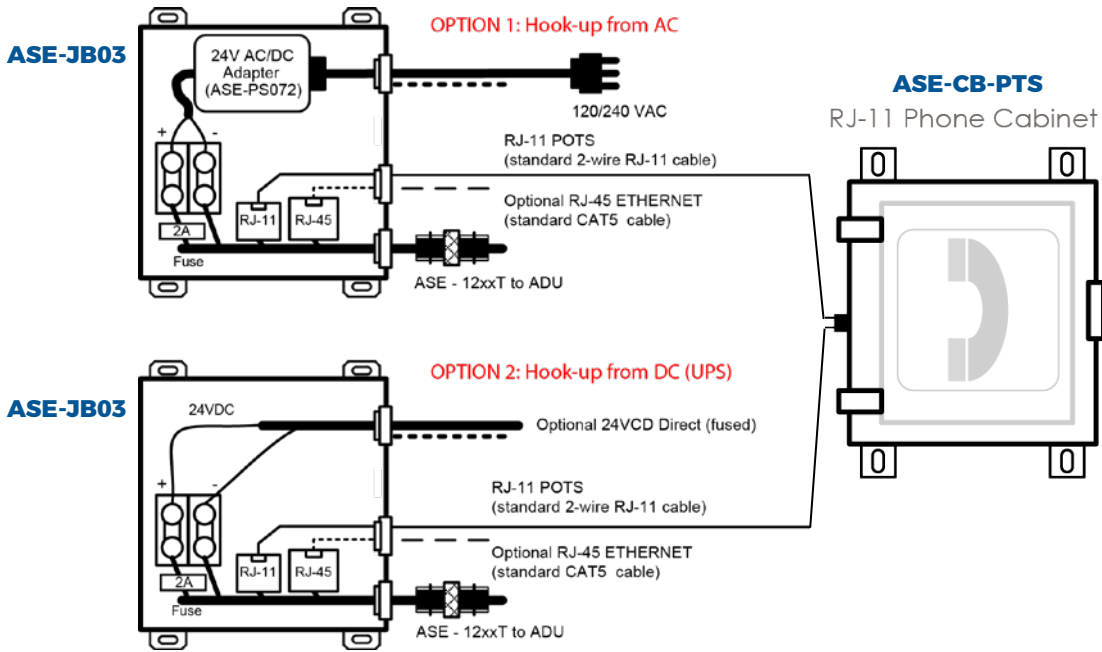
# CITADEL PACKAGE 02

## ASE-CIT02: Voice terminal with built-in antenna and GPS

Includes ADU (MC05G), POTS phone in lockable cabinet (CB-PTS), X length cable (12XXXT), junction box (JB03) with AC/DC power supply and fused cable, and mounting bracket (MNT-20)



The junction box provides the termination point for the Citadel cable. Terminated inside the junction box is POTS (2-wire RJ-11), ethernet (CAT5), and power (24VDC).



### ASE-CIT02 OPTIONS:

|                         |                                   |                                  |
|-------------------------|-----------------------------------|----------------------------------|
| <b>Cable Lengths*</b>   | ASE-CIT02-328 / 328' (100 meters) | ASE-CIT02-150 / 150' (46 meters) |
| <b>ADU Shell Colors</b> | Black                             | White                            |

\*Custom lengths available for fleetwide installations

**Harmonized Code - HTS#:** 8517.62.0050 **ECCN:** 5A992.a

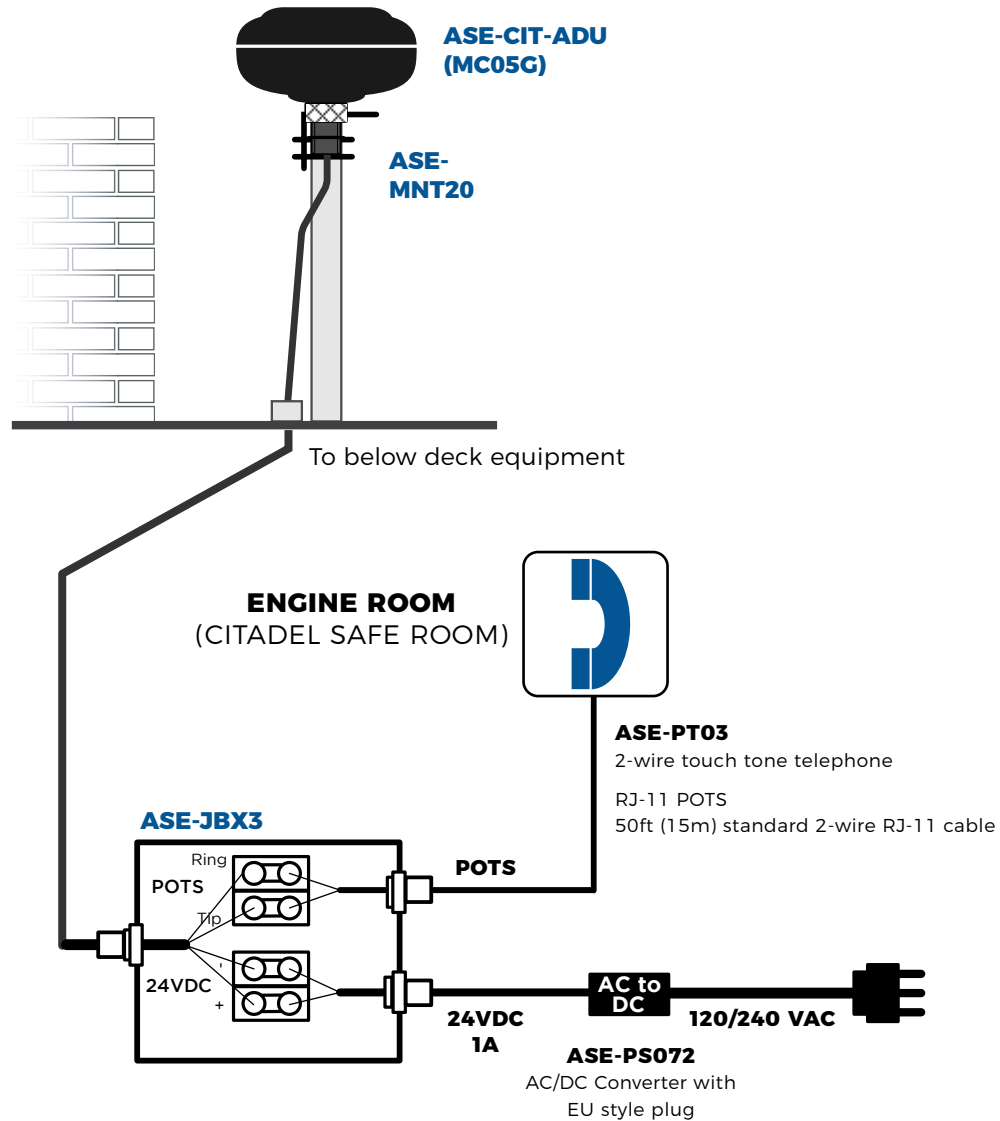
**Shipping Dimensions ASE-CIT02-328:** 22 x 18 x 16, 35 LBS (56cm x 46cm x 41cm, 16kg)

**Shipping Dimensions ASE-CIT02-150:** 20 x 14 x 14, 25 LBS (51cm x 36cm x 36cm, 11kg)

# CITADEL PACKAGE 03

## ASE-CIT03: Voice terminal with built-in antenna and GPS

Includes ADU (MC05G), POTS phone (ASE-PT03), X length cable (13XXXT), junction box (JBX3) with AC/DC power supply and fused cable, and mounting bracket (MNT-20).



### ASE-CIT03 OPTIONS:

|                         |                                |                               |
|-------------------------|--------------------------------|-------------------------------|
| <b>Cable Lengths</b>    | ASE-13328T - 328' (100 meters) | ASE-13150T - 150' (46 meters) |
| <b>ADU Shell Colors</b> | Black                          | White                         |

**Harmonized Code - HTS#:** 8517.62.0050 **ECCN:** 5A992.a

**Shipping Dimensions ASE-CIT03-328:** 22 x 18 x 16, 35 LBS (56cm x 46cm x 41cm, 16kg)

**Shipping Dimensions ASE-CIT03-150:** 20 x 14 x 14, 25 LBS (51cm x 36cm x 36cm, 11kg)

# ANTI-PIRACY PACKAGE COMPONENTS



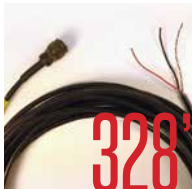




## SPECIFICATIONS AND SHIPPING INFORMATION

|                    |  |   |
|--------------------|--|---|
| <b>ASE-CIT-ADU</b> | <p><b>Replacement Above Deck Unit:</b> Includes transceiver, mount, and breakout cable</p> <p><b>Harmonized Code - HTS#:</b> 8517.62.0050 <b>ECCN:</b> 5A992.a<br/><b>Shipping Dimensions:</b> 14 x 10 x 10in, 6lbs (36cm x 25cm x 25cm, 3kg)</p>  |    |
| <b>ASE-MNT20</b>   | <p><b>Mounting System for ComCenter Outdoor:</b> Vibration mount bracket with horizontal or vertical mounting options</p> <p><b>Harmonized Code - HTS#:</b> 8544.20.0000 <b>ECCN:</b> EAR99<br/><b>Shipping Dimensions:</b> 8 x 8 x 8, 2 LBS (20cm x 20cm x 20cm, 1 kg)</p>  |    |
| <b>ASE-JBO3</b>    | <p><b>Junction Box for the ComCenter Outdoor:</b> Junction box for cable terminations (RJ11/RJ45/Power), AC/DC power supply and fused cable metal with water resistant glands</p> <p><b>Harmonized Code - HTS#:</b> 8504.40.8500 <b>ECCN:</b> EAR99<br/><b>Shipping Dimensions:</b> 10 x 14 x 3, 7 LBS (25cm x 36cm x 8cm, 5 kg)</p> |    |
| <b>ASE-CB-PTS</b>  | <p><b>Wall Mount POTS phone with Lockable Cabinet:</b> POTS phone, lockable cabinet, instruction placard for Emergency Dialing</p> <p><b>Harmonized Code - HTS#:</b> 8518.30.2000 <b>ECCN:</b> EAR99<br/><b>Shipping Dimensions:</b> 13 x 9 x 11, 8 LBS (33cm x 23cm x 28cm, 4 kg)</p>   |   |
| <b>ASE-12000T</b>  | <p><b>RJ11 and RJ45 cable adapter for the ComCenter Outdoor:</b> Cable adapter for the ComCenter Outdoor - RJ11/RJ45/Power and plastic wall plate</p> <p><b>Harmonized Code - HTS#:</b> 8544.20.0000 <b>ECCN:</b> EAR99<br/><b>Shipping Dimensions:</b> 8 x 8 x 3, 2 LBS (20cm x 20cm x 8cm, 1 kg)</p>                               |  |
| <b>ASE-12050T</b>  | <p><b>50' (15m) Cable for ComCenter II Outdoor:</b> Turret connection 1" (3cm) diameter</p> <p><b>Harmonized Code - HTS#:</b> 8544.20.0000 <b>ECCN:</b> EAR99<br/><b>Shipping Dimensions:</b> 20 x 16 x 8, 3 LBS (51cm x 41cm x 20cm, 2 kg)</p>  |  |
| <b>ASE-12100T</b>  | <p><b>100' (30m) Cable for ComCenter II Outdoor:</b> Turret connection 1" (3cm) diameter</p> <p><b>Harmonized Code - HTS#:</b> 8544.20.0000 <b>ECCN:</b> EAR99<br/><b>Shipping Dimensions:</b> 20 x 16 x 8, 6 LBS (51cm x 41cm x 20cm, 3 kg)</p>   |  |
| <b>ASE-12150T</b>  | <p><b>150' (46m) Cable for ComCenter II Outdoor:</b> Turret connection 1" (3cm) diameter</p> <p><b>Harmonized Code - HTS#:</b> 8544.20.0000 <b>ECCN:</b> EAR99<br/><b>Shipping Dimensions:</b> 20 x 16 x 8, 9 LBS (51cm x 41cm x 20cm, 4 kg)</p>   |  |



# ANTI-PIRACY PACKAGE COMPONENTS

## SPECIFICATIONS AND SHIPPING INFORMATION

|                      |   |   |
|----------------------|---|---|
| <b>ASE-12328T</b>    | <p><b>328' (100m) Cable for ComCenter II Outdoor:</b> Turret connection 1" (3cm) diameter</p> <p><b>Harmonized Code - HTS#:</b> 8544.20.0000 <b>ECCN:</b> EAR99<br/><b>Shipping Dimensions:</b> 20 x 16 x 8, 16 LBS (51cm x 41cm x 20cm, 7 kg)</p>  |  A photograph of a long, black, coiled cable with a turret-style connector at one end. A red '328'' is overlaid on the image.          |
| <b>ASE-13150T</b>    | <p><b>150' (46m) Cable for ComCenter II Outdoor:</b> Turret connection 1" (3cm) diameter (ADU connection), unterminated (junction box connection)</p> <p><b>Harmonized Code - HTS#:</b> 8544.20.0000 <b>ECCN:</b> EAR99<br/><b>Shipping Dimensions:</b> 20 x 16 x 8, 9 LBS (51cm x 41cm x 20cm, 4 kg)</p>   |  A photograph of a black cable with a turret connector and some exposed wires at the other end. A red '150'' is overlaid on the image. |
| <b>ASE-13328T</b>    | <p><b>328' (100m) Cable for ComCenter II Outdoor:</b> Turret connection 1" (3cm) diameter (ADU connection), unterminated (junction box connection)</p> <p><b>Harmonized Code - HTS#:</b> 8544.20.0000 <b>ECCN:</b> EAR99<br/><b>Shipping Dimensions:</b> 20 x 16 x 8, 16 LBS (51cm x 41cm x 20cm, 7 kg)</p> |  A photograph of a black cable with a turret connector and some exposed wires at the other end. A red '328'' is overlaid on the image. |
| <b>ASE-12100T</b>    | <p><b>24V AC/DC Power Adapter:</b> 24V AC/DC power adapter</p> <p><b>Harmonized Code - HTS#:</b> 8544.20.0000 <b>ECCN:</b> EAR99<br/><b>Shipping Dimensions:</b> 12 x 8 x 3, 2 LBS (30cm x 20cm x 8cm, 1 kg)</p>  |  A photograph of a black, rectangular power adapter with a power cord and a connector.  |
| <b>ASE-GSK01-CIT</b> | <p><b>Gasket Kit for ComCenter Outdoor II:</b> Annual maintenance gasket kit</p> <p><b>Harmonized Code - HTS#:</b> 8544.20.0000 <b>ECCN:</b> EAR99<br/><b>Shipping Dimensions:</b> 12 x 8 x 3, 2 LBS (30cm x 20cm x 8cm, 1 kg)</p>  |  A photograph of a black gasket kit with a circular gasket and a smaller ring, along with some hardware.                             |
| <b>ASE-12001T</b>    | <p><b>Adapter from Turret style to Binder (plastic) style:</b> Pre 2012 connection adapter</p> <p><b>Harmonized Code - HTS#:</b> 8544.20.0000 <b>ECCN:</b> EAR99<br/><b>Shipping Dimensions:</b> 12 x 8 x 3, 2 LBS (30cm x 20cm x 8cm, 1 kg)</p>  |  A photograph of a black plastic adapter cable with a turret connector on one end and a binder-style connector on the other.         |
| <b>ASE-PS08</b>      | <p><b>Fused DC Cable:</b> Fused DC cable for optional direct power hookup</p> <p><b>Harmonized Code - HTS#:</b> 8544.20.0000 <b>ECCN:</b> EAR99<br/><b>Shipping Dimensions:</b> 12 x 8 x 3, 2 LBS (30cm x 20cm x 8cm, 1 kg)</p>   |  A photograph of a red and black fused DC cable with a fuse and a connector.   |