

The logo for Blue Sky Network features a large, stylized blue swoosh that starts at the top left, curves upwards and to the right, then loops back down and to the left, ending in a long, thin tail that extends towards the bottom left. The text "Blue Sky Network" is positioned in the center of the swoosh.

Blue Sky Network

ACH1000

Installation Guide

Version 2.1

Part Number: 100260

NOTICE

This guide is published and copyrighted by Blue Sky Network (BSN). All information and specifications in this document are subject to change without notice. Nothing in this document is intended to create additional or separate warranties or guarantees.

© 2014 Blue Sky Network, All Right Reserved.



Blue Sky Network, 5333 Mission Center Rd. Suite 220, San Diego, CA 92108

Phone: +1 858 551 3894 | Fax: +1 858 225 0794

E: support@blueskynetwork.com | W: www.blueskynetwork.com

REVISION HISTORY

Revision Number	Date	Author	Document Number	Notes
0.5	03/16/2005	Monir Elias	100258	Initial Draft
0.6	03/21/2005	Monir Elias	100258	Text and drawing corrections
0.7	03/20/2005	Monir Elias	100258	Wiring Diagram Update
0.8	05/10/2005	Monir Elias	100258	Diagrams Update
0.9	06/09/2005	Monir Elias	100258	Diagrams Update
0.95	07/12/2005	Monir Elias	100258	Updated Outline and Installation
1.0	11/18/2005	Monir Elias	100258	Wiring Diagram Update
1.1	02/21/2006	Monir Elias	100258	General Updates and ground testing
1.2	03/29/2006	Monir Elias	100258	Text correction, page 18
1.3	08/17/2007	Monir Elias	100258	Ground Testing updates
1.4	10/03/2007	Monir Elias	100258	Installation observations
1.5	12/06/2007	Tim Rudge	100258	Updated service activation section.
1.6	07/28/2010	John Pervorse	100258	Updated Diagram; added Warranty Section
1.7	10/10/2011	Tim Rudge	100258	Updated wiring harness diagrams from engineering revisions.
2.0	07/22/2014	Mathew Pearson	100258	Added reference to ACH1000 HELINK supplemental Install Guide 100271 (HELINK switching and QPos). Updated ACH1000 wiring diagram. Updated styling.

TABLE OF CONTENTS

NOTICE 2

REVISION HISTORY..... 3

INTRODUCTION 6

 APPLICATION6

 OVERVIEW.....6

SYSTEM DESCRIPTION & OPERATION..... 6

 SYSTEM DESCRIPTION6

General.....6

 ACH1000 FEATURES8

FAA/JAA APPROVAL 9

 GENERAL.....9

EQUIPMENT SPECIFICATIONS AND DRAWINGS..... 9

 BLUE SKY NETWORK ACH1000 SPECIFICATIONS9

INSTALLATION & WIRING 11

 LICENSE REQUIREMENTS11

 COOLING AIR REQUIREMENTS11

 AIRCRAFT INTERFACES.....11

Power Input.....11

 EQUIPMENT REQUIRED BUT NOT SUPPLIED11

 WIRE HARNESS FABRICATION & INSTALLATION CONSIDERATIONS12

Power Wiring.....12

Ground Bonding12

Cable & Wire Harness Routing Considerations12

Optional Visual/Audio Alert Feature13

 WIRING DIAGRAM14

 ACH1000 INSTALLATION.....15

 GROUND TEST & OPERATIONAL FLIGHT CHECK PROCEDURE15

MAINTENANCE 15

Aircraft Annual Inspection Considerations 15

SERVICE ACTIVATIONS 16

PRODUCT WARRANTY 17

 USE AND INSTALLATION 17

 FUNCTIONALITY 17

 LIMITED WARRANTY 17

 HOW TO GET WARRANTY SERVICE 18

 DISCLAIMERS AND LIMITATION OF LIABILITY 18

WIRING 20

 WIRE HARNESS ACH1000 TO D1000A/C (DB9F – DB25M) 20

 ACH1000 POWER CABLE 22

 ACH1000 POWER CABLE DIAGRAM 23

ACH1000 AND HAWKEYE LINK 24

ADDITIONAL SUPPORT 25

INTRODUCTION

APPLICATION

This guide is applicable to the following components:

Part Number	Component Description
100140A or 100240	D1000A or D1000C Modem Unit
100259	ACH1000 Installation Kit
100260	ACH1000 Control Head
Notes	

OVERVIEW

The information contained in this manual describes the features, functions, technical characteristics, components, approval procedures, installation considerations, setup procedures, checkout procedures and instructions for continued airworthiness for a BLUE SKY NETWORK ACH1000 Control Head for Voice/Data Communication.

Information, drawings and wiring diagrams contained in this manual are intended as a reference for engineering planning only. Drawings and wiring diagrams contained herein do not represent any specific aircraft installation. It is the installer's responsibility to create installation drawings specific to the aircraft. This manual, and drawings and wiring diagrams, contained herein may not be used as a substitute for any drawing package.

SYSTEM DESCRIPTION & OPERATION

SYSTEM DESCRIPTION

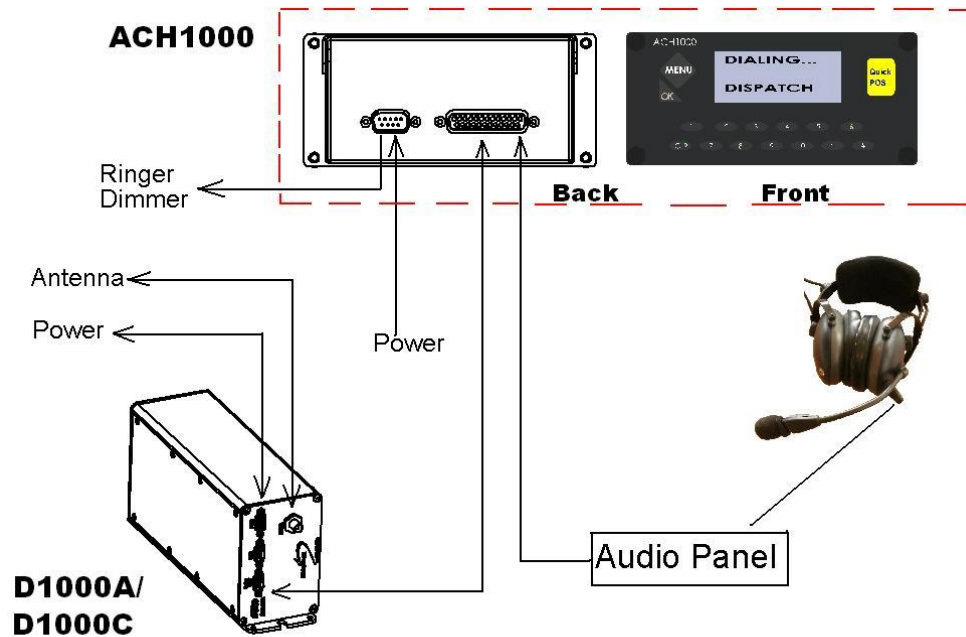
GENERAL

The Blue Sky Network ACH1000 Control Head for Voice/Data Communication provides next generation satellite data and voice communications to and from aircraft on a global scale. This affordable and robust terminal provides a simple user interface to control and manage the information flow to and from the cockpit, providing users with complete communication capabilities to make/receive calls, exchange data with operators and fleet administrators, and offer effective asset tracking.

All data services are managed by the customer through our asset management portal SkyRouter (www.skyrouter.com). SkyRouter offers global asset tracking and two-way messaging to and from any computer connected to the Internet. It also offers account management features, such as user and fleet management, and billing information. Access to SkyRouter is highly reliable and secure.



Diagram



ACH1000 FEATURES

- **System Status:** the ACH1000 provides the GPS and Iridium signal strengths, Iridium network registration and D1000C synchronization information.
- **Voice Communication (PHONE):** this option allows the pilot to use either the “Speed Dial” mode to call one of the pre-stored numbers or “Standard Dial” when entering a new number. The audio should be interfaced to the aircraft audio panel and/or intercom system (see wiring details).
- **Data Communication (MESSAGE):** this option allows the user to send pre-stored short messages and to read and acknowledge incoming short text messages (up to 200 characters).
- **Data Communication (FLIGHT PLAN):** this option allows the crew to send a flight plan to SkyRouter. Please note that this is not a formal filing of a flight plan, but just used for informational purposes for users of SkyRouter.
- **SETUP:** The setup menu provides features such as Volume, Brightness, Contrast control. This way the user can control the volume when making/receiving calls and the intensity of the front panel backlight. The ACH1000 can also be reset from this menu option.

Please refer to the ACH1000 User Guide for further information on operating the product.

FAA/JAA APPROVAL

GENERAL

Acceptance for the installation and use of the ACH1000 must be sought through the appropriate offices of the Federal Aviation Administration (FAA), Joint Aviation Authorities (JAA) or other certifying agency.

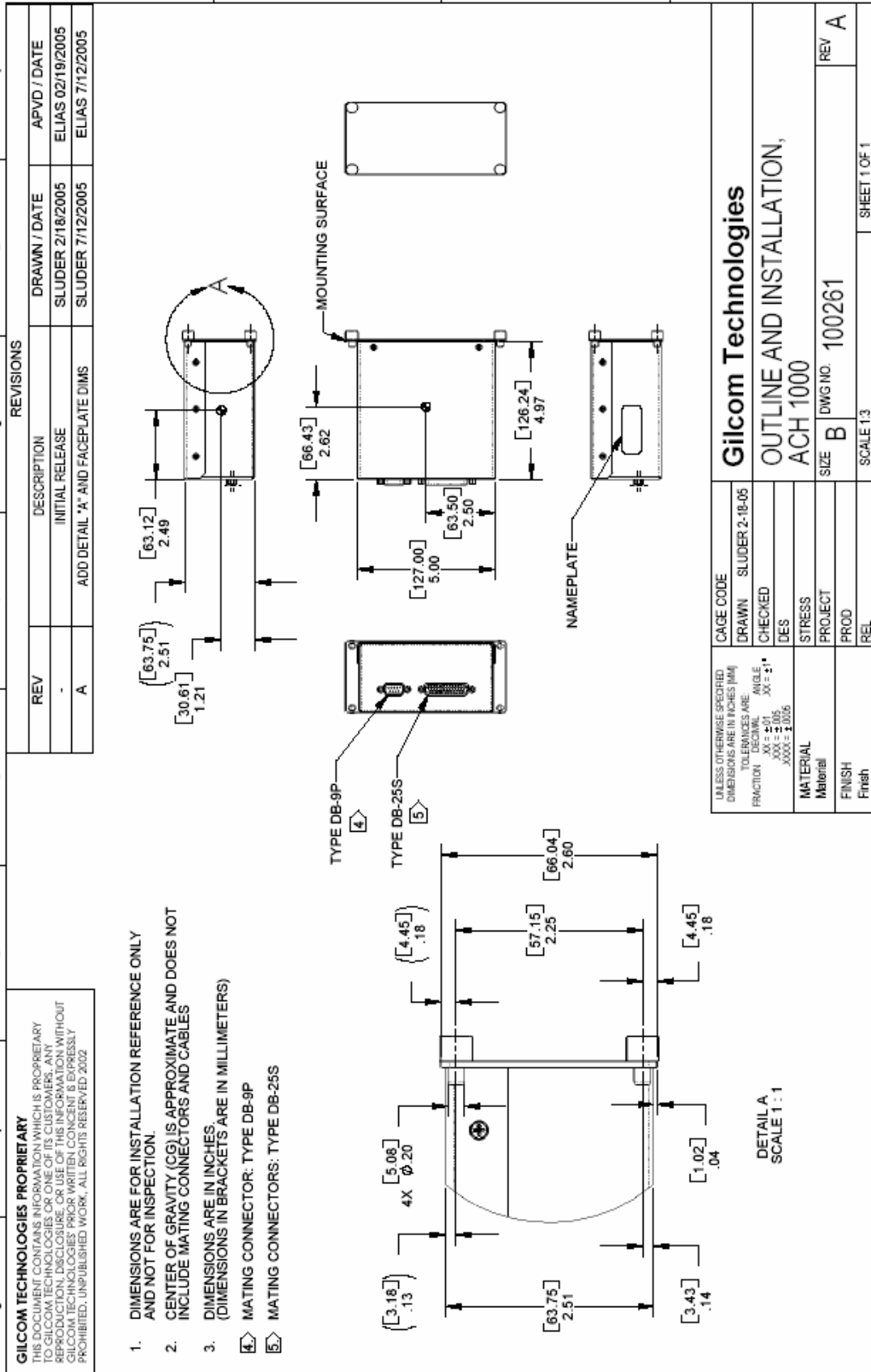
The ACH1000 System is approved by the FAA (Federal Aviation Administration) as compliant with the airworthiness requirements as defined in 14 CFR (Code of Federal Regulations), Parts 23 and 25.

See the Blue Sky Network website (www.blueskynetwork.com) for information on FAA Supplemental Type Certificates (STCs) that are held by Blue Sky Network, and EASA STCs that known to Blue Sky Network.

EQUIPMENT SPECIFICATIONS AND DRAWINGS

BLUE SKY NETWORK ACH1000 SPECIFICATIONS

Height	Maximum 2.6 inches (6.4 cm)
Width	Maximum 5.75 inches (14.6 cm)
Depth	Maximum 5.0 inches (12.7 cm)
Weight	1.2 pounds
Power Requirements	18VDC - 32VDC
Audio Specs	Mic: 12VDC Bias / Ear: 600 or 8 ohm (software selected)
Nominal Current	< 0.2A Continuous, < 0.5A Peak (at 24VDC)
Operating Temperature Range	-20 degrees C to + 60 degrees C
Altitude	Up to 50,000 feet
Display Indicators	Synchronization with D1000C Iridium and GPS Signal Strength Message Waiting Incoming Call Call Status
FAA Certification	DO-160D / STC



INSTALLATION & WIRING

LICENSE REQUIREMENTS

The ACH1000 Control Head has no licensing requirements.

COOLING AIR REQUIREMENTS

The ACH1000 has very low power usage so forced air cooling is not required for any of the components. However, units should be kept away from heat sources.

AIRCRAFT INTERFACES

The ACH1000 operates independent of aircraft navigation systems. Therefore, no aircraft interface is required other than optional interface to the audio controller and the 18-33Vdc Power Input, Power Return and Chassis Ground.

POWER INPUT

The ACH1000C requires aircraft power.

The ACH1000 power interface supports wide voltage input in the range of 18V to 33V DC. The following input connection is the most commonly used:

28 VDC nominal, typically less than 0.5A (up to 1A max)

A circuit breaker is recommended to protect the aircraft power distribution system.

EQUIPMENT REQUIRED BUT NOT SUPPLIED

1. Circuit Breaker
2. Interconnect Wiring for power
3. Interconnect Wiring for data and audio
4. Mounting Hardware

WIRE HARNESS FABRICATION & INSTALLATION CONSIDERATIONS

Referring to the appropriate section of this manual, assemble a wiring harness as required for the installation. All wires must be MIL-SPEC in accordance with current regulations. Two-conductor shielded wire must be used where indicated and be MIL-SPOEC-27500 or equivalent specification. Shields should only be grounded at the Modem Unit end of the interconnect cable. Other ends remain floating.

It is imperative that the correct wiring be used and that proper stripping, shielding, grounding, crimping and soldering techniques be used at all times. Failure to correct techniques may result in poor performance, electrical noise or unit failure.

POWER WIRING

To assure that the ACH1000 will operate properly down to its rated minimum input voltage, ensure that power wires of at least the recommended size are connected in accordance with the installation drawings. It is recommended that power and ground wires are a twisted pair to reduce signal noise.

GROUND BONDING

In order to assure installation characteristics match the DO-160 RF and Lightning test conditions, ensure that ground wires of at least the recommended size are installed and these wires are connected to a bonded aircraft ground.

Note: The ACH1000 needs to be grounded for proper operation. See Pinout tables for correct pin information.

CABLE & WIRE HARNESS ROUTING CONSIDERATIONS

- The length and routing of cables must be carefully planned before starting the installation.
- Avoid sharp bends in the cable.
- Do not locate the cable near aircraft controls.
- Observe all appropriate sections of FAR Parts 23, 25, 27, and 29, as well as AC 43.13-1 and AC 43.13-2 (latest revisions). Damage caused by improper installation will void product warranty.
- In order to ensure optimum performance, the ACH1000 and associated wiring should be kept a minimum of three feet from high noise sources and not routed with cables from high power sources.

OPTIONAL VISUAL/AUDIO ALERT FEATURE

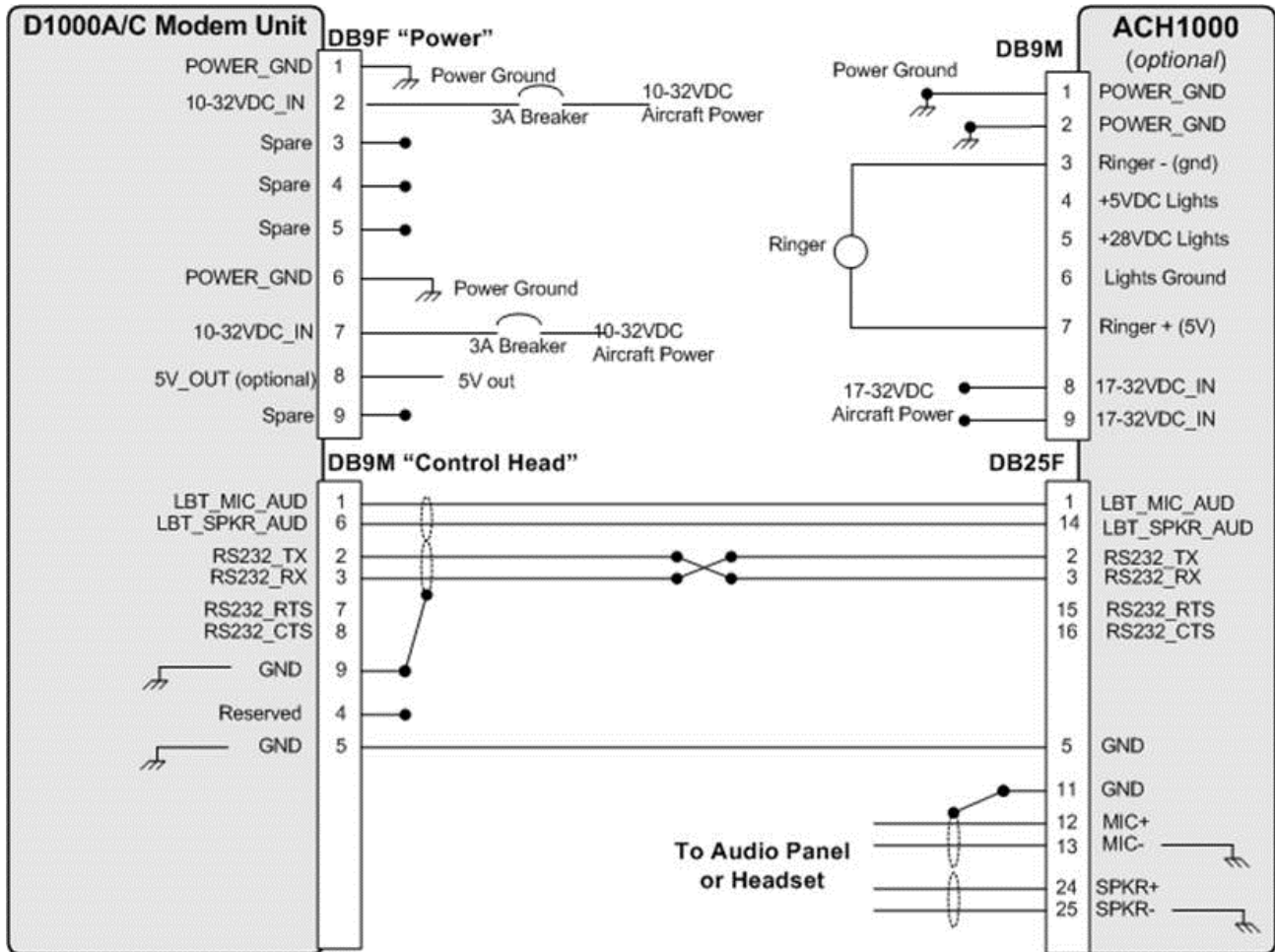
A 5V ringer (examples: Mallory SC307N and SNP2) or a 5V LED can be connected to the ACH1000 DB9 connector (between pins 3 and 7) in order to signal incoming calls or messages (see next page's *Wiring Diagram*). The alert signal is grounded, lit (on pin 3) when there is an incoming message to be read or pulses if it is an incoming call. MAX +18V

ADD THESE LATER:

Max switched voltage is +18V.

Pin 3 is grounded only when the ringer is activated.

WIRING DIAGRAM



Notes:

- (1) Aircraft dimming control can be used with the ACH1000 (DB9 pins 4/5/6). Default is disabled. To enable the external dimming control on the ACH1000 unit, select "Brightness" under the "Setup" option and decrease brightness levels until reaching "Dimmer" option, then press OK.
- (2) The 4-wire audio signals can be used to interface the ACH1000 to INTERCOMs or standard audio panels. For example, this system can be installed with a PMA7000B audio panel (from PS Engineering) by connecting its pin 12 to J1-K, pin 24 to J1-J, and both pins 13 (mic-) and 25 (spkr-) to J1-1.
- (3) If the installer experiences extreme audio noise during system test (which is usually caused by the low frequencies presented by power lines), it is recommended to disconnect wires/pins 1, 2 and 6 of the DB9M Power Connector of the ACH1000, as the unit will use DB25F pin 5 as the ground reference (ACH1000 has only one ground plane, the common ground). By disconnecting these wires, the installer could eliminate the potential noise source ("ground loop").

ACH1000 INSTALLATION

The exact location of the ACH1000 is at the option of the installer, but its DZUS mount compatibility makes it best suited for cockpit panel placement. It is important that the ACH1000 is located in front of the pilot in order to allow easy access and visualization.

GROUND TEST & OPERATIONAL FLIGHT CHECK PROCEDURE

After the ACH1000 has been successfully installed, you may use this procedure to check for accurate communication between the ACH1000 and its D1000 unit.

Before turning on the power to the D1000A/C or the ACH1000, make sure that the installation is complete. Turn on the power to the D1000 and the ACH1000 at the same time. After 10-20 seconds you will see the "Reset"/"Updating..." message on the ACH1000 display. If you see this message and then it terminates with the Main Menu, the ACH1000 has been installed correctly and is properly synchronized with the D1000. Just as a second check, one should be able to see the D1000 firmware version through the ACH100 LCD screen by:

- 1- Scrolling down (in the ACH1000 Main Menu) until selecting "Setup";
- 2- Scrolling down again and selecting "Version";

Here, the user will be able to see the ACH1000 and the D1000 firmware versions (if properly installed).

Another important item to test is the *QuickPOS* button functionality, as this is used in emergency situations. Once the ACH1000 is on and stable, press the *QuickPOS* button (yellow, to the right of the screen) and observe its behavior. If working correctly, the button's LED should blink while the ACH1000 screen displays a message that the *QuickPOS* button is active. After confirming its functionality for 10 or 15 seconds, press the *QuickPOS* button again to disable this function and get back to standby mode.

The required logbook entries and FAA approvals are the responsibility of the installer and Blue Sky Network assumes no responsibility for either obligation.

MAINTENANCE

AIRCRAFT ANNUAL INSPECTION CONSIDERATIONS

During the aircraft annual inspection:

- Visually inspect the installation for loose fasteners or corrosion
- Perform a functional check of the system (ex: send/receive data).

SERVICE ACTIVATIONS

Blue Sky Network handles all activation requests. An activation request can be submitted through our website, the link is shown below. You should receive an immediate email confirmation that your request has been submitted and another email once the requested services have been activated. Please make sure your contact details are accurate, this is how we contact you if there are any problems processing your request.

<http://www.blueskynetwork.com/Support/ActivationForm.php>

PRODUCT WARRANTY

PLEASE READ -- THIS DOCUMENT CONTAINS IMPORTANT NOTICES, WARRANTY INFORMATION AND LIMITATIONS ON YOUR RIGHTS

USE AND INSTALLATION

The ACH1000 is intended to be used and installed on aircraft only. Installation of this Product and any of its component parts and any other work performed on the airframe during installation must be performed in accordance with federal aviation administration ("FAA") regulations and all other applicable regulations and may require further FAA certification. This Product should be installed by a professional and is intended to be handled and used solely in accordance with FAA regulations and the most recent specifications and instructions distributed by Blue Sky Network, LLC ("Blue Sky"). **NO SUBSTITUTION ALLOWED FROM RECOMMENDATIONS WITHOUT Blue Sky Network LLC PERMISSION, TO MAINTAIN EQUIPMENT WARRANTY.**

FUNCTIONALITY

The functionality of this Product will, in significant part, depend on the service provider and the communications network used in conjunction with this Product. To the extent Blue Sky is also your service provider for this Product, then this Product is also subject to the terms and conditions of your service contract.

LIMITED WARRANTY

This Product consists of one basic component: an ACH1000 Control Head for Voice and Data Communication (part #100260) that is used in conjunction with either a D1000A (part # 100140) or D1000C (part # 100240) unit.

Blue Sky is the original equipment manufacturer for the control head. Blue Sky warrants that the Warranted Components shall be free from defects in materials and workmanship for a period of twelve (12) months from the date this Product is delivered to the first end-user purchaser ("Purchaser"). This warranty is not assignable or transferable by the Purchaser.

Blue Sky, at its option, shall at no charge to Purchaser either repair or replace Warranted Components that do not conform to this warranty, provided that the Warranted Components are returned in accordance with the instructions set out below and within the warranty period. These remedies are Purchaser's exclusive remedies under this warranty. Repair may include the replacement of parts with functionally equivalent reconditioned or new parts. Warranted Components that have been repaired or replaced are warranted for the balance of the original warranty period. All Warranted Components for which replacements have been provided shall become Blue Sky's property.

Blue Sky does not warrant any installation, maintenance, or service of this Product or any component thereof not performed by Blue Sky.

Blue Sky is not responsible in any way for any damage to ancillary equipment or software which is attached to or used in connection with this Product, or for operation of this Product with any ancillary equipment or software, and all such equipment and software are expressly excluded from this warranty. Furthermore, Blue Sky is not responsible for any damage to this Product resulting from the use of ancillary equipment not furnished by Blue Sky for use with this Product.

BLUE SKY ASSUMES NO RESPONSIBILITY FOR PAYMENT OF ANY REPAIR SERVICES PERFORMED BY THIRD PARTIES INCLUDING REMOVAL OF THE UNIT FROM THE AIRCRAFT, INSPECTION, PACKAGING, HANDLING, OR INSTALLATION UNLESS SUCH SERVICES ARE AUTHORIZED IN ADVANCE AND IN WRITING BY BLUE SKY.

HOW TO GET WARRANTY SERVICE

Warranty service is available by contacting Blue Sky at the following telephone number (during business hours) or email address or by returning the Warranted Components to Blue Sky at the following address:

Blue Sky Network, LLC.

1298 Prospect St. – Suite 1D

La Jolla, CA 92037

Phone: +1-858 551-3894

E-mail: support@blueskynetwork.com

Purchasers are advised to contact Blue Sky at the above telephone number or email address for a consultation prior to returning Warranted Components. All Product shipped to Blue Sky must be shipped with freight, duties, and insurance prepaid. Purchaser must include with the Product a bill of sale (or other comparable proof of purchase), the Purchaser's name, address and telephone number, the tail number and serial number of the aircraft on which the Product was installed and a detailed description of the problem. Warranted Components that are repaired or replaced under this limited warranty shall be shipped to Purchaser at Blue Sky's expense for the freight and insurance and at Purchaser's expense for any applicable duties or other expenses of shipment.

Blue Sky reserves the right to make changes, upgrades, and improvements to this product without incurring any obligation to install such changes, upgrades, and improvements in previously manufactured products.

ANY SERVICE WORK PERFORMED BY A PARTY OTHER THAN BLUE SKY OR BY A PARTY NOT OTHERWISE AUTHORIZED BY BLUE SKY SHALL IMMEDIATELY VOID THIS LIMITED WARRANTY.

Please contact Blue Sky if you have any questions regarding Blue Sky's limited warranty.

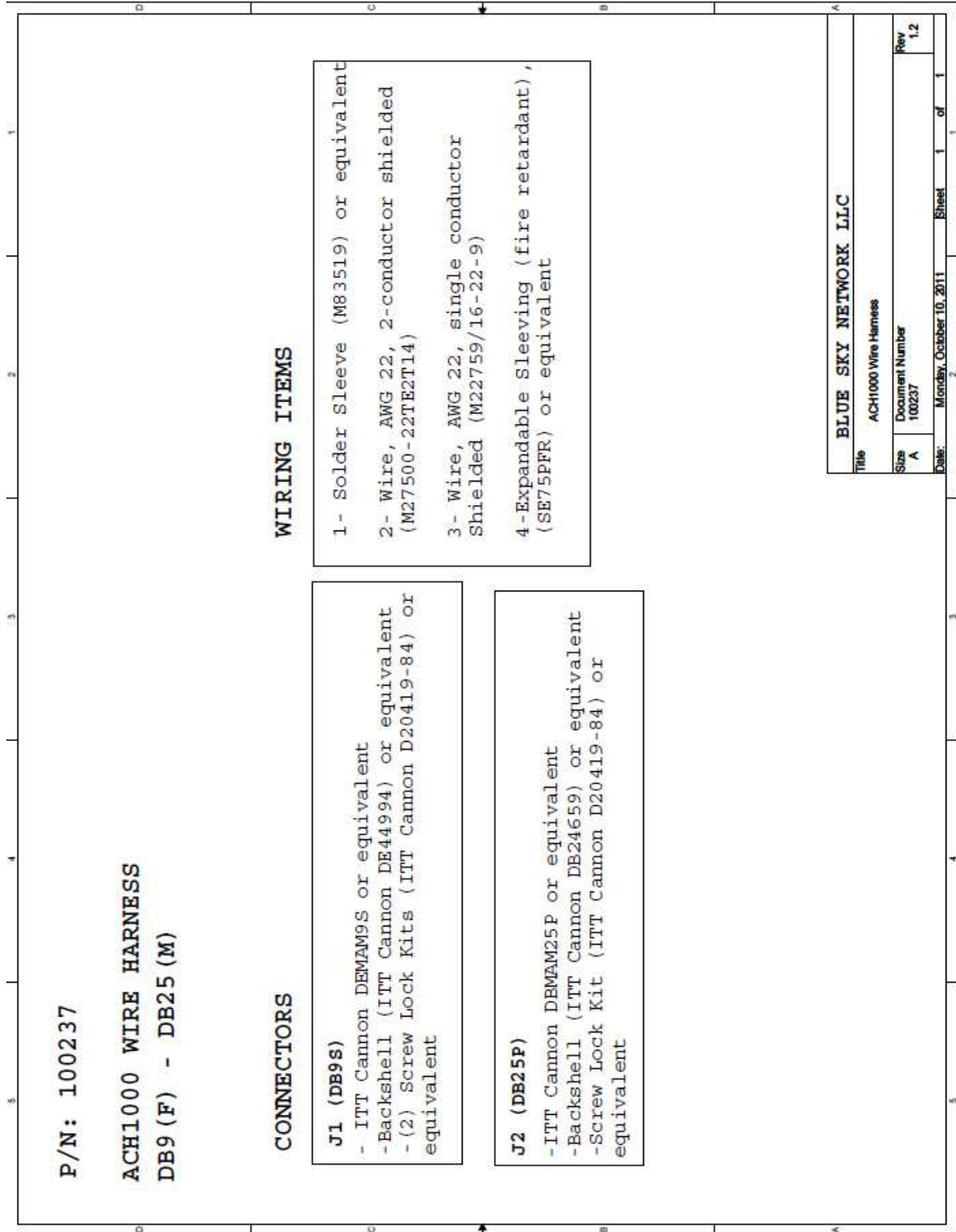
DISCLAIMERS AND LIMITATION OF LIABILITY

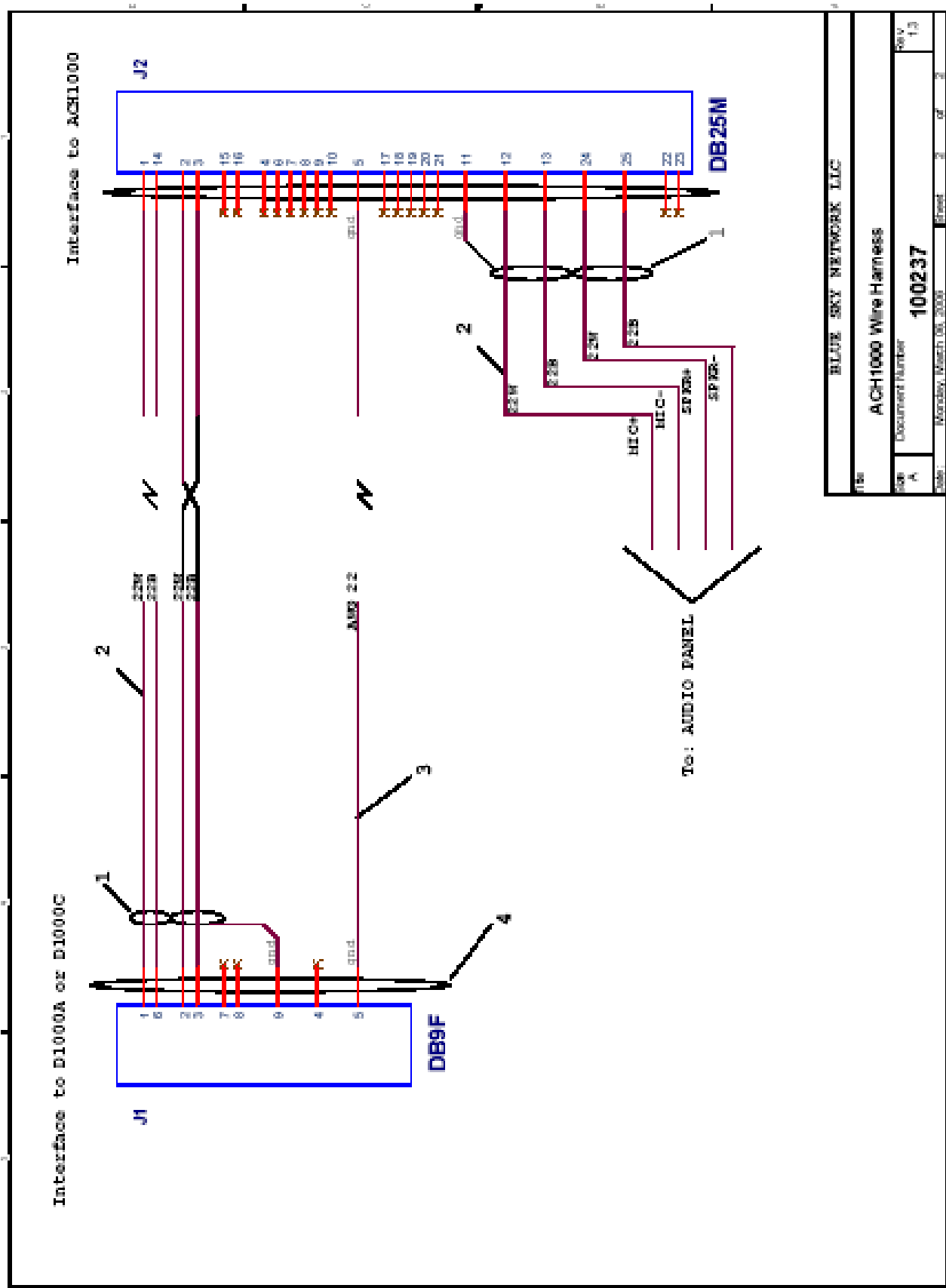
EXCEPT FOR THE LIMITED WARRANTY SPECIFICALLY PROVIDED HEREIN, ALL OTHER WARRANTIES ARE EXPRESSLY DISCLAIMED, INCLUDING, WITHOUT LIMITATION, WARRANTIES OF MERCHANTABILITY AND FITNESS OR SUITABILITY FOR A PARTICULAR PURPOSE. ANY LIABILITY SHALL BE LIMITED EXCLUSIVELY TO REPLACEMENT OR REPAIR OF THE WARRANTED COMPONENTS AS PROVIDED HEREIN. UNDER NO CIRCUMSTANCES SHALL LIABILITY EXIST FOR INCIDENTAL, CONSEQUENTIAL, OR SPECIAL DAMAGES RELATING TO THE HANDLING, INSTALLATION OR USE OF THIS PRODUCT. BLUE SKY SHALL NOT BE OBLIGATED OR LIABLE FOR, AMONG OTHER THINGS, DEFECTS CAUSED BY TAMPERING, MISUSE, ACCIDENT, ABUSE, NEGLIGENCE, IMPROPER STORAGE OR MAINTENANCE, USE IN A MANNER BEYOND WHICH THIS PRODUCT IS INTENDED TO BE USED AS SET FORTH IN BLUE SKY'S SPECIFICATIONS, IMPROPER REPAIR, POOR WORKMANSHIP OR USE OF DEFECTIVE MATERIALS BY SOMEONE OTHER THAN BLUE SKY, OR ANY OTHER CAUSE EXCEPT FOR DEFECTS IN MATERIALS OR WORKMANSHIP WITH RESPECT TO THE WARRANTED COMPONENTS AS DELIVERED BY BLUE SKY.

Some states do not allow the exclusion or limitation of incidental or consequential damages and some states do not allow limitations on how long an implied warranty may last; therefore, the above limitations or exclusions may not apply to you. The warranty provided herein gives you specific legal rights. You may also have other rights that vary from state to state. In the event any of the provisions of the limited warranty are found by statute or by applicable administrative or judicial entity to be unenforceable, the remaining provisions shall remain in force.

WIRING

WIRE HARNESS ACH1000 TO D1000A/C (DB9F – DB25M)





BLUE SKY NETWORK LLC	
ACH1000 Wire Harness	
Document Number	100237
Rev	1.3
Date	Monday, March 06, 2006
Sheet	2 of 2

ACH1000 POWER CABLE

If the power harness between the circuit breaker and the ACH1000 is less than 10', there is no need to connect two PWR wires and two GND wires to the D-Sub connector (the diagram below shows the case scenario for a long wiring scheme – above 10'). The ACH1000 should work without problems if the installer chooses to only connect GND to pin 1 and PWR to pin 9. One single breaker (for example, 3A) should be enough to cover both the D1000A/C and ACH1000 systems.

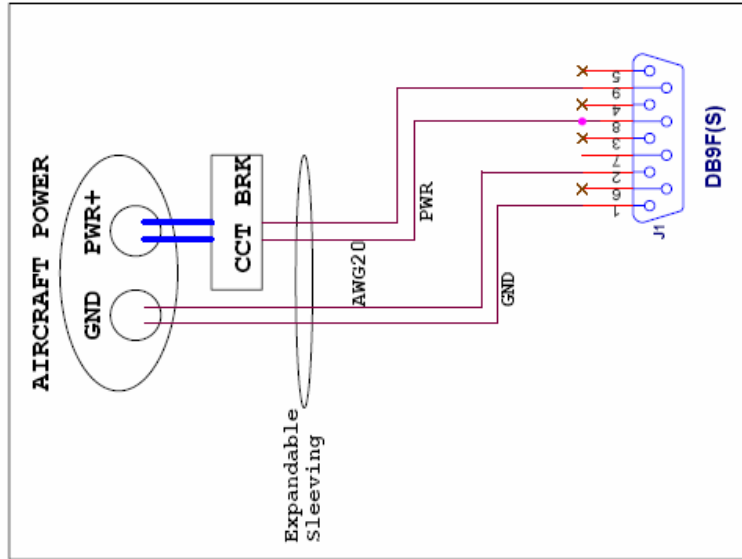
ACH1000 POWER CABLE DIAGRAM

ACH1000 POWER CABLE (100257)

Bill of Materials

- Connector J1, 9 Pin D-sub receptacle (ITT Cannon DEMAM9S or AMP equivalent)
- Backshell, 9 Pin D-sub (ITT Cannon DE44994 or AMP equivalent)
- Expandable Sleeving (fire retardant), SE75PFR
- Wire AWG20 (M22759)

DIAGRAM



Title		BLUE SKY NETWORK LLC	
Size		ACH1000 POWER CABLE	
Document Number		PN 100257	
Rev	1.2	Sheet	1 of 1

ACH1000 AND HAWKEYE LINK

An ACH1000 which has had the HawkEye Link rework and is running firmware version 2.02 or greater will allow the user to freely switch between ACH1000 and HawkEye Link (if installed) via the Settings menu on ACH1000, while being able to use the QPOS button on the ACH1000 at all times.

For further information please see the supplemental installation guid2 100271 (ACH1000_UPDATE_HELINK_IG.pdf) which is available at the Support section of New SkyRouter, or the Documentation section of SkyRouter Classic:



ADDITIONAL SUPPORT

If additional support is needed, please don't hesitate to contact Blue Sky Network Technical Support using the details shown below.

Blue Sky Network, 5333 Mission Center Rd. Suite 220, San Diego, CA 92108

Phone: +1 858 551 3894 | Fax: +1 858 225 0794

E: support@blueskynetwork.com | W: www.blueskynetwork.com